

SONY

Hi-Fi Products
Service Bulletin

Sony Service Company - Technical Services
A Division of Sony Corporation of America
Sony Drive, Park Ridge, New Jersey 07656

Model: DTC-87ES

No. 309

Subject: Tape Won't Load

Date: December 30, 1992

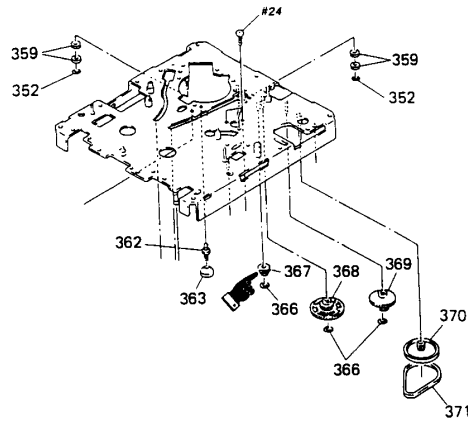
Symptom:
(61)

Mechanism will not load tape due to a cracked loading gear B (ref. 367) which is damaged by mechanical overload.

Solution: Replace loading gear B (ref. 367) with an improved type as shown in the chart below.

| REF | DESCRIPTION | PART NUMBER | |
|-----|------------------|--------------|--------------|
| | | FORMER | NEW |
| 367 | GEAR (LOADING B) | 3-345-182-01 | 3-372-619-01 |

MECHANISM SECTION 5 (DATM-51)



CSA-13 DAT

Reference: FPR-N2712



PRINTED IN U.S.A.
CSA-131292-6